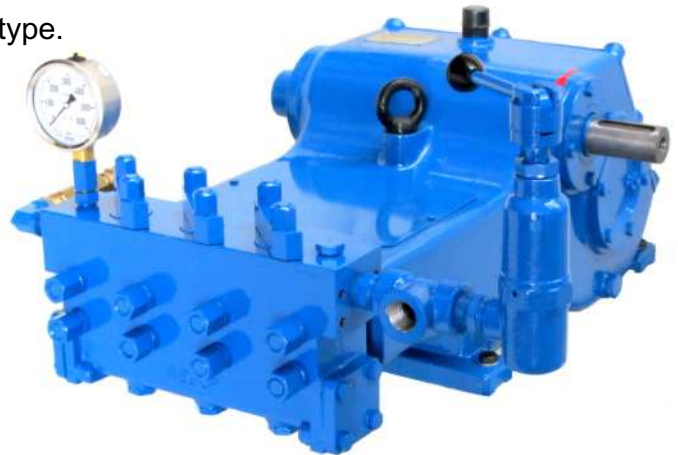


3150 Series 3 plungers 150 HP (110 Kw)

- Input shaft left (l) or right viewable from the head.
- Auxiliary P.T.O. shaft on opposite side.
- Internal Gear box with reduction 2,963 in 3150 body type. Reduction 3,652 in 3150R type.
- Internal oil pressure lubrication. 3150 E / 3150R E Body type.
- Stroke: 95 mm.
- Ceramic plungers.
- High pressure A head low pressure to high volume B head made of spheroidal cast iron or stainless steel.
- Internal parts in contact with the liquid made of resistant corrosion materials.
- Several pressure regulator valves and outlet nipples.



ROSTOR 3150 A01
With regulator valve B

Head type	Heat material	Pump type	Weight (Kg)	
High pressure	A01	Spheroidal cast iron	3150A01 / 3150RA01	335
	A02	Stainless steel	3150A02 / 3150RA02	335
Low pressure	B	Spheroidal cast iron	3150B / 3150RB	310
	B02	Stainless steel	3150B02 / 3150RB02	310

A02 - B02: Body head made of stainless steel. Suction manifold made of cast iron.
A1 - B1: All made of stainless steel.



3150A01
With regulator valve A02

Technical data

Plunger (mm)	Shaft (r.p.m.)	Reduction	Crank shaft (r.p.m.)	Q (l/min)	Motor power (HP / Kw)				
					75/55	100/75	125/90	150/110	
					Working pressure (bar)				
HEAD A01 / A02	22	1500	2,963	506	52	540	750	-	-
		1800	3,652	493	50	550	750	-	-
		1500	3,652	411	42	665	750*	-	-
	24	1500	2,963	506	62	450	605	750*	-
		1800	3,652	493	60	465	620	750*	-
		1500	3,652	411	50	555	750	-	-
	26	1500	2,963	506	73	385	515	640	750
		1800	3,652	493	71	395	530	660	750*
		1500	3,652	411	59	475	635	750*	-
	30	1500	2,963	506	97	290	390	480	570
		1800	3,652	493	94	300	400	500	570*
		1500	3,652	411	78	355	475	570*	-
35	1500	2,963	506	132	210	285	355	420	
	1800	3,652	493	128	220	290	365	420*	
	1500	3,652	411	107	260	350	420*	-	
40	1500	2,963	506	172	160	220	270	320	
	1800	3,652	493	168	165	225	280	320*	
	1500	3,652	411	140	200	270	320*	-	
45	1500	2,963	506	218	130	170	215	250	
	1800	3,652	493	212	135	175	220	250*	
	1500	3,652	411	178	160	210	250*	-	
HEAD B / B02	50	1500	2,963	506	276	100	135	170	200
		1800	3,652	493	269	105	140	175	200*
		1500	3,652	411	224	125	165	200*	-
	55	1500	2,963	506	334	85	110	140	170
		1800	3,652	493	325	85	115	145	175
		1500	3,652	411	271	105	138	170*	-
60	1500	2,963	506	397	70	95	120	140	
	1800	3,652	493	387	70	95	120	140	
	1500	3,652	411	322	85	115	140*	-	



3150 A02
With regulator valve A02N2



3150B
With regulator valve C

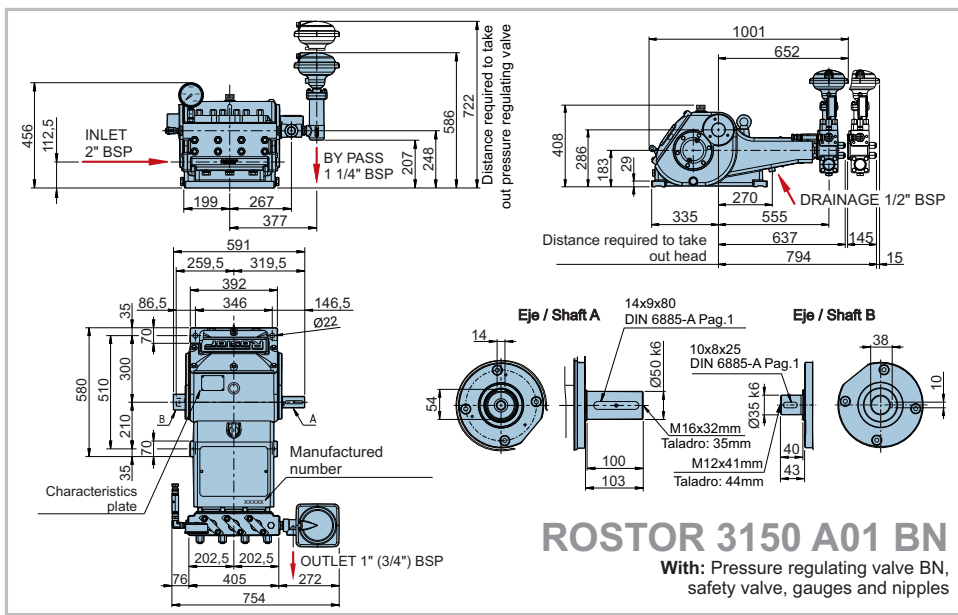


3150 EAI

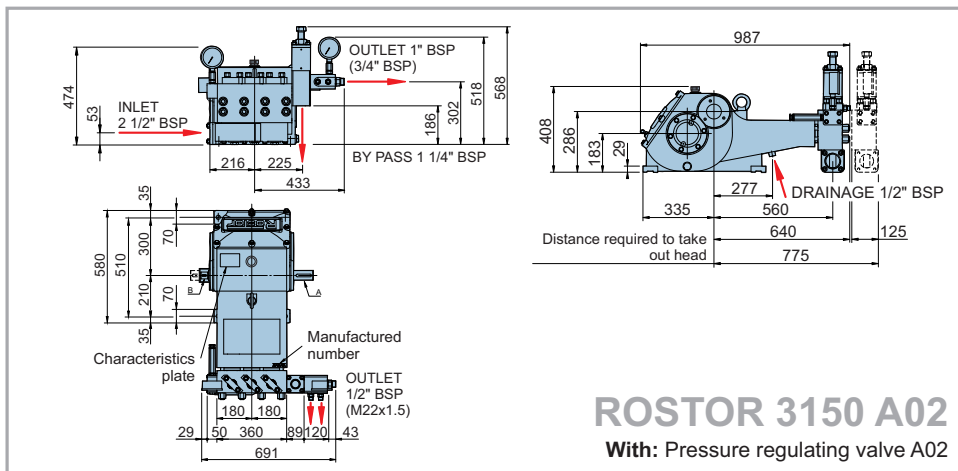
* To obtain this pressure is needed less power than indicated.

Higher pressure than 300 bar we recommend the A02 stainless steel head.

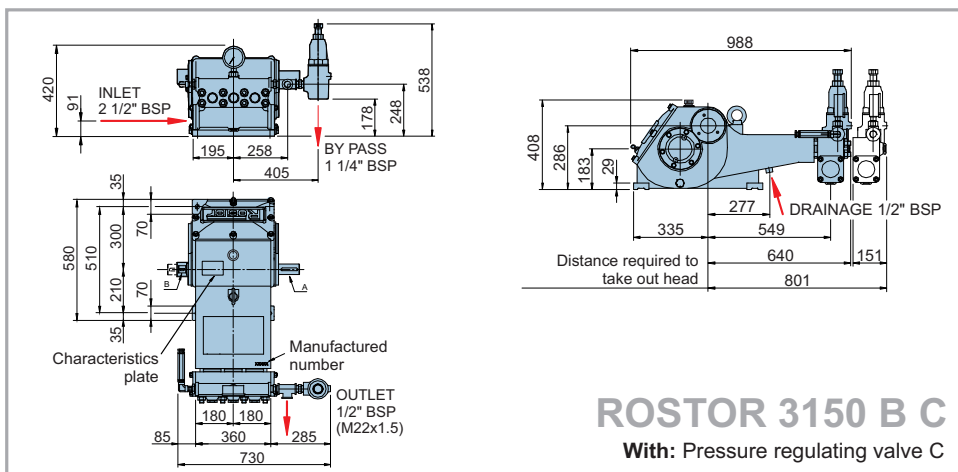
Crankshaft speed to 411 r.p.m. or inferior for intensive use, the rest intermittent use.



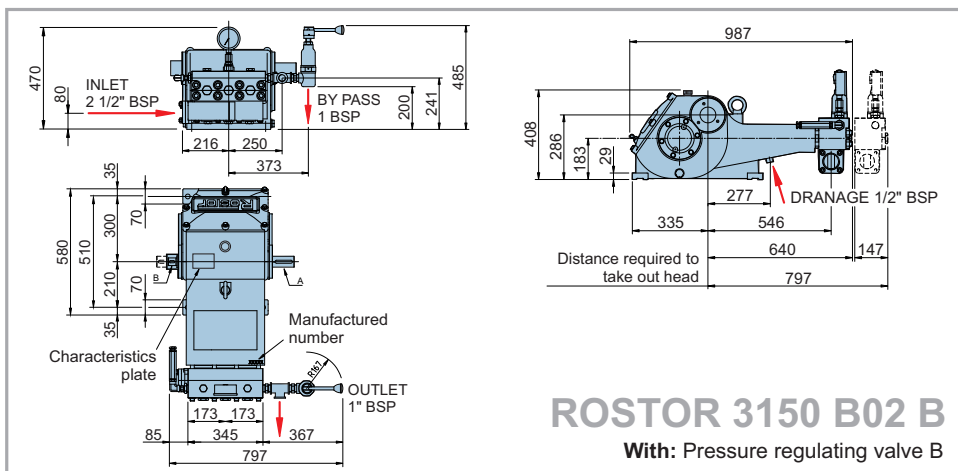
3150A02 - 150 HP
750 bar - 73 l/min



3150A1 - 150 HP
320 bar - 132 l/min



3150RB02 - 50 HP
60 bar - 322 l/min



3150RA02 - 150 HP
320 bar - 168 l/min



3150RA02 - 150 HP
570 bar - 94 l/min