

# HIGH PRESSURE PUMPS

## 3200S Series 3 plungers 200 HP (145 Kw)

- Water recycling pump.
- Input shaft left (I) or right viewable from the head.
- Auxiliary P.T.O. shaft on opposite side.
- Internal Gear box with reduction 2,963 in 3200 body type. Reduction 3,652 in 3200R type.
- Internal oil pressure lubrication.
- Stroke: 95 mm.
- Ceramic plungers.
- S Valves to use with dirty water.
- SL Valves to use with clean water.
- Accessories: Pressure regulator valve, safety valve, manometer, outlet nipples.



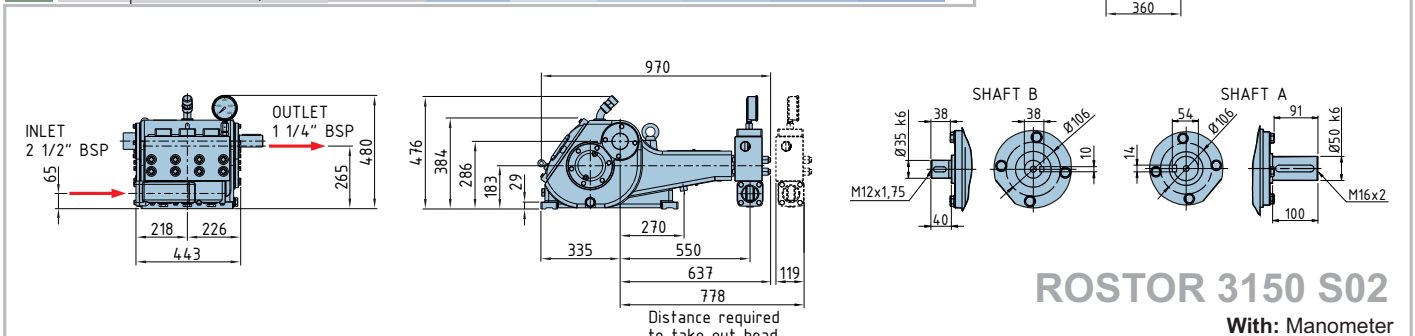
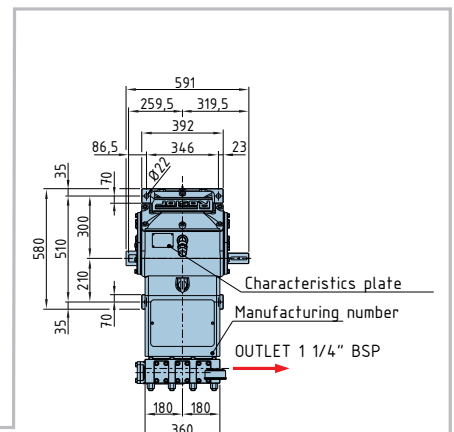
ROSTOR 3200 S02

Head type	Use	Head material	Weight (Kg)
S02	Dirty water	Stainless steel body head, suction manifold in cast iron	340
SL02	Clean water		
SI	Dirty water	All in stainless steel	350
SLI	Clean water		

### Technical data

Plunger (mm)	Shaft (r.p.m.)	Reduction	Crank Shaft (r.p.m.)	Flow (l/min)	Motor power (HP / Kw)				
					75/55	100/75	125/90	150/110	200/145
35	1500	2,963	506	132	215	250*	-	-	-
	1800	3,652	493	128	220	250*	-	-	-
	1500	3,652	411	107	250*	-	-	-	-
40	1500	2,963	506	172	160	215	250*	-	-
	1800	3,652	493	168	165	220	250*	-	-
	1500	3,652	411	140	200	250*	-	-	-
45	1500	2,963	506	218	130	170	215	250*	-
	1800	3,652	493	212	135	175	220	250*	-
	1500	3,652	411	178	160	210	250*	-	-
50	1500	2,963	506	276	100	135	170	205	250*
	1800	3,652	493	269	105	140	175	210	250*
	1500	3,652	411	224	125	165	210	250	-
55	1500	2,963	506	334	85	110	140	170	230
	1800	3,652	493	325	85	115	145	170	230
	1500	3,652	411	271	105	138	170	210	230*
60	1500	2,963	506	397	70	95	120	140	190
	1800	3,652	493	387	70	95	120	140	190
	1500	3,652	411	322	85	115	140	175	190*

\*To obtain this pressure is needed less power than indicated.



### ROSTOR 3150 S02

With: Manometer